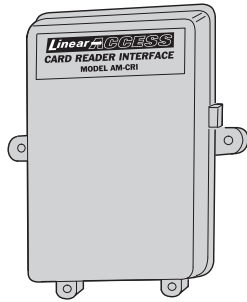


# AM-CRI

## Card Reader Interface

### Installation Instructions



**Linear**  
Building On Innovation.

USA & Canada (800) 421-1587 & (800) 392-0123  
(760) 438-7000 - Toll Free FAX (800) 468-1340  
www.linearcorp.com

### INTRODUCTION

The AM-CRI card reader interface is designed for use with Linear's AE1000Plus, AE2000Plus, and AM3Plus access control systems. The interface will support one or two 26-bit Weigand input devices.

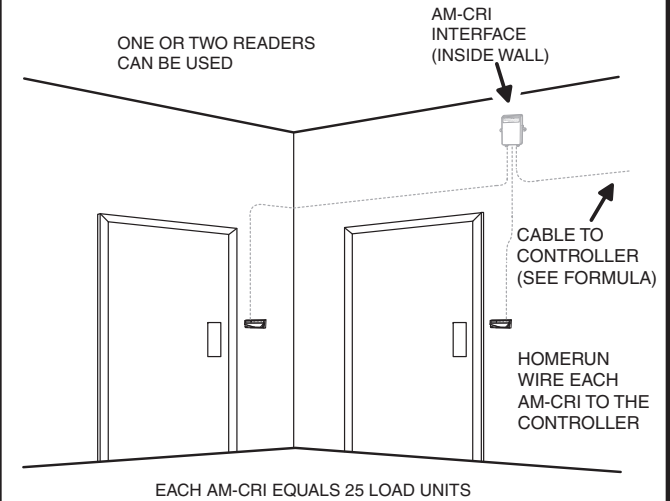
If the readers used have a "hold" or "buffer" connection, two readers may be used to the AM-CRI. If the readers do not have a "hold" or "buffer" connection, one reader may be used with the AM-CRI.

Usually mounted near the readers, the AM-CRI interface connects to the controller through a six-wire cable. Each reader connects to the AM-CRI through a six-wire (one LED in reader) or seven wire (two LEDs in reader) cable.

Two rotary switches in the AM-CRI select the PBUS device address for each reader connected. Each remote PBUS device connected to the controller must be set to a different device address. The address switches in the AM-CRI must be set to different addresses if two readers are used.

Power is supplied to the interface and reader(s) from the controller. A power selection jumper is provided for each reader. Five or eight volt power or external power for locally powered readers can be selected.

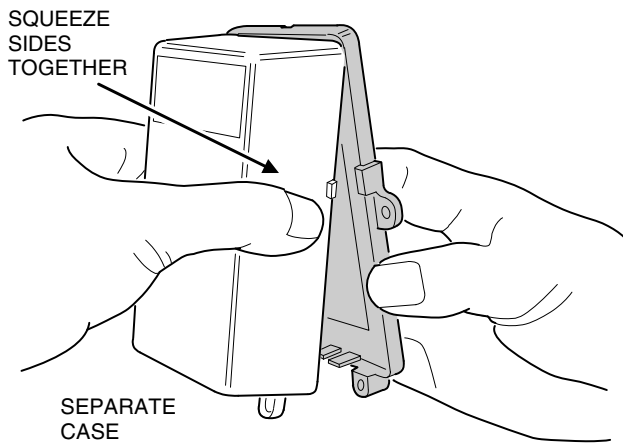
### 1. TYPICAL INSTALLATION



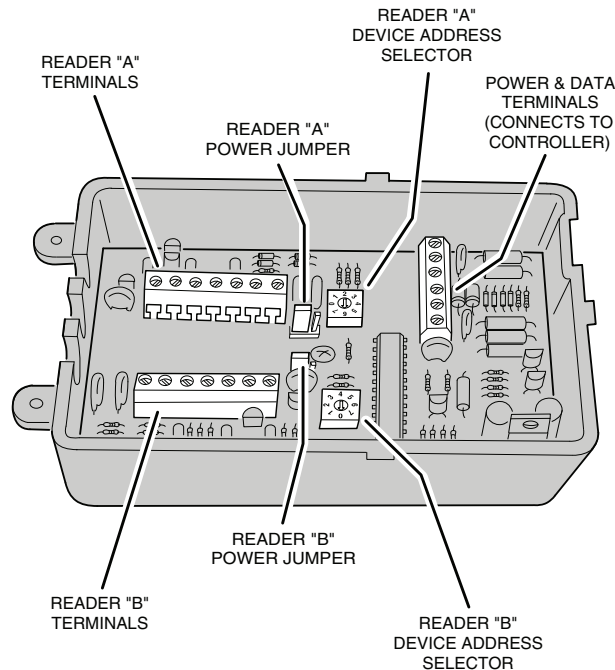
#### CABLE LENGTH FORMULA FOR EACH AM-CRI USED IN SYSTEM

CABLE RUN	CABLE TYPE	FORMULA
120 FEET MAXIMUM	BELDEN 9931 (24 AWG)	FEET x LOAD UNITS < 3,000 MAXIMUM
400 FEET MAXIMUM	WEICO 9405 (20 AWG)	FEET x LOAD UNITS < 10,000 MAXIMUM

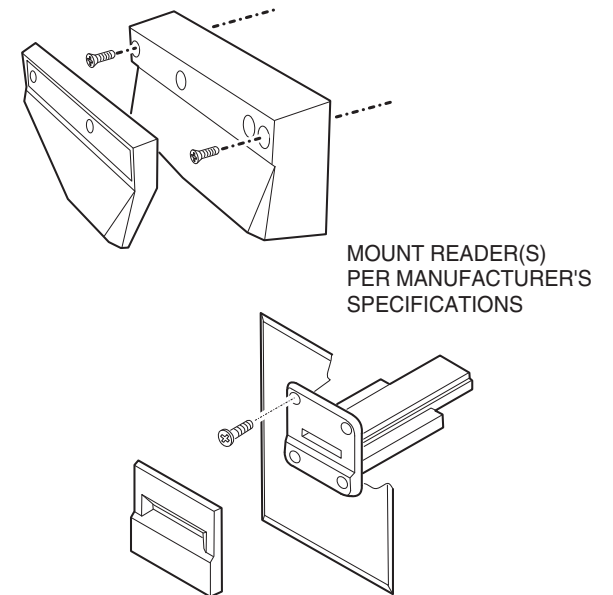
### 2. OPEN CASE



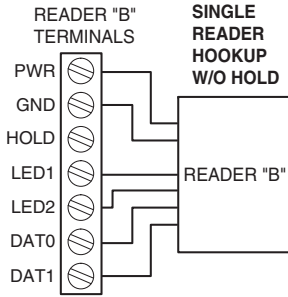
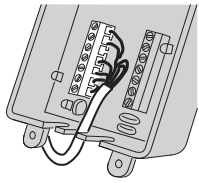
### 3. LOCATE COMPONENTS



### 4. MOUNT READERS

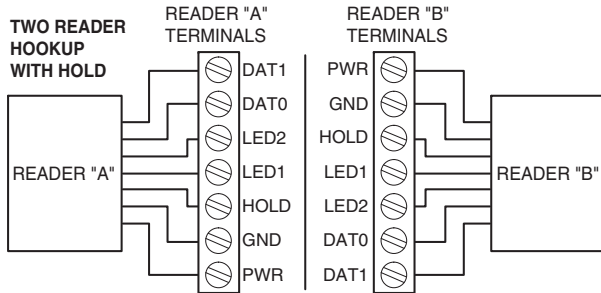


### 5. CONNECT READERS TO AM-CRI



LED1- ON DURING STANDBY

LED2- ON DURING ACCESS



REFER TO READER MANUFACTURER'S SPECIFICATIONS FOR READER WIRE COLOR AND HOOK UP DETAILS

### 6. SET DEVICE ADDRESS AND POWER JUMPERS

NOTE:  
REFER TO STEP 3 ILLUSTRATION FOR COMPONENT LOCATIONS



SET READER POWER JUMPER

8 VOLT POWER TO READER

5 VOLT POWER TO READER

REMOVE JUMPER WHEN USING EXTERNAL POWER

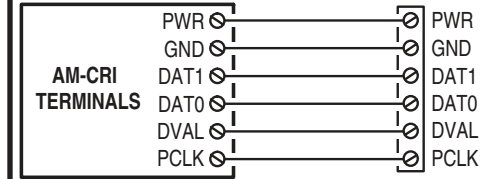
SET DEVICE ADDRESS SELECTOR

SET TO POSITION 1-6 (MUST BE DIFFERENT FROM OTHER READER)

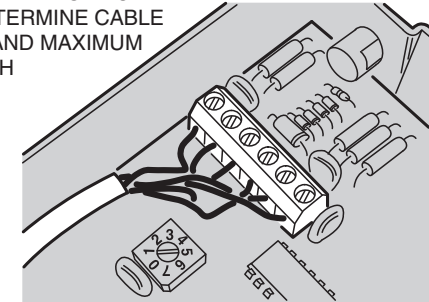
SET UNUSED READER ADDRESS TO "0"

NOTE:  
WHEN USING ONE READER WITHOUT A "HOLD" LINE, CONNECT IT TO READER "B" TERMINALS AND SET READER "A" DEVICE ADDRESS SELECTOR TO "0"

### 7. CONNECT AM-CRI TO CONTROLLER



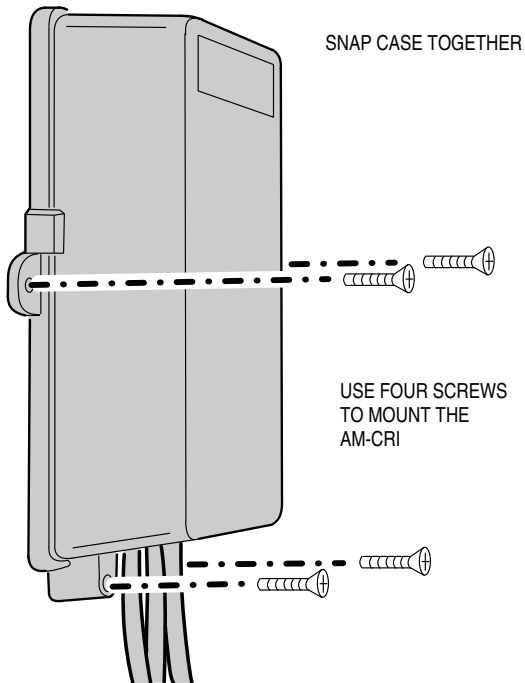
USE CABLE FORMULA TO DETERMINE CABLE TYPE AND MAXIMUM LENGTH



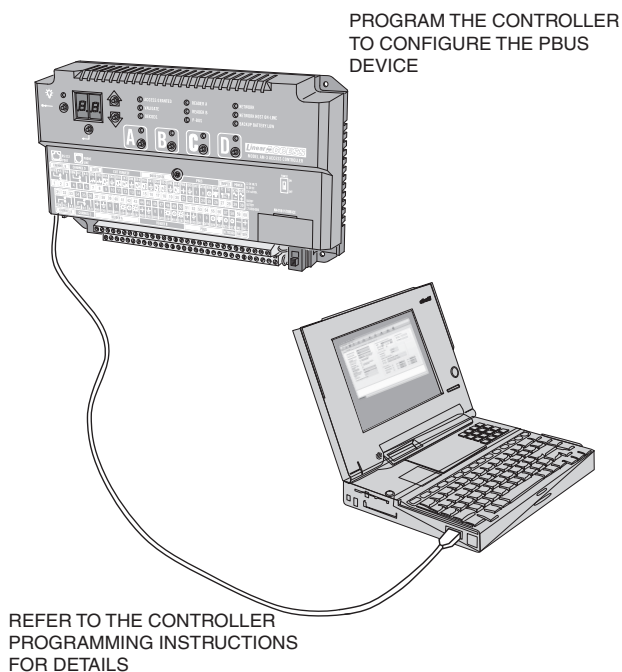
AM-CRI

NOTE: CONTROLLER MUST BE TURNED OFF BEFORE MAKING ANY WIRING CONNECTIONS

### 8. CLOSE CASE AND MOUNT UNIT



### 9. PROGRAM AND TEST



### LINEAR LIMITED WARRANTY

This Linear product is warranted against defects in material and workmanship for twelve (12) months. **This warranty extends only to wholesale customers** who buy direct from Linear or through Linear's normal distribution channels. **Linear does not warrant this product to consumers.** Consumers should inquire from their selling dealer as to the nature of the dealer's warranty, if any. **There are no obligations or liabilities on the part of Linear LLC for consequential damages arising out of or in connection with use or performance of this product or other indirect damages with respect to loss of property, revenue, or profit, or cost of removal, installation, or reinstallation.** All implied warranties, including implied warranties for merchantability and implied warranties for fitness, are valid only until **This Linear LLC Warranty is in lieu of all other warranties express or implied.**

All products returned for warranty service require a Return Product Authorization Number (RPA#). Contact Linear Technical Services at 1-800-421-1587 for an RPA# and other important details