

AM-SEK Serial-to-Ethernet Converter Kit

- **Serial-to-Ethernet Module** developed for Linear's AM3Plus, AE1000Plus, and AE2000Plus panels
- **Remotely connect, control, program, manage, and monitor access panels over existing LAN and/or the Internet**
- **Offers an alternative to direct RS-232 serial connection to Node 1 of AB2000 and AXNET networks**
- **IP address and virtual COM port are easy to configure using Windows[®] based utility software**
- **10/100 Mbps fast Ethernet full duplex auto negotiation**
- **Serial connection speed 38.4 Kbps**
- **Housed in a metal case with DIN-rail and wall-mounting tabs**
- **15 kV ESD protection for serial port**

The AM-SEK Serial-to-Ethernet Kit provides a standard network TCP/IP connection for Linear's AM3Plus, AE1000Plus, and AE2000Plus access controllers. The module can be used as an alternative to a traditional telephone modem typically used for remote access to Plus panel controllers.

The converter module connects between the Plus panel's RS-232 Serial port and the installation's network. Access to the network can be through a Local Area Network (LAN) or directly to a Wide Area Network (WAN). Typically the module is connected to a port on a router located on the installation's LAN.

In Plus panel networks, with multiple panels interconnected via RS-485 wiring, the module connects to Node #1 of an AXNET network, or Node #1 of any AB2000 network.

For easy configuration and setup, a Windows[®] based software utility is included on the installation CD. The utility software is used for setting the module's IP address and the computers virtual COM port. The utility software is compatible with Windows XP[®], Windows Vista[®], and Windows 7[®].

Note: LIN-501C Module is only available in the AM-SEK Kit and is not sold separately.

Available in an Installer Friendly Kit!

Convenient and cost effective
Model: AM-SEK Order #: ACP00964

AM-SEK Kit Includes:



General Specifications

Power: 5 VDC from plug-in power supply (included), also supports a 9-30 volt DC redundant input from an external power supply

Network Connection: 100BASE-T RJ-45 connector

Network Speed: Fast Ethernet 10/100 Mbps

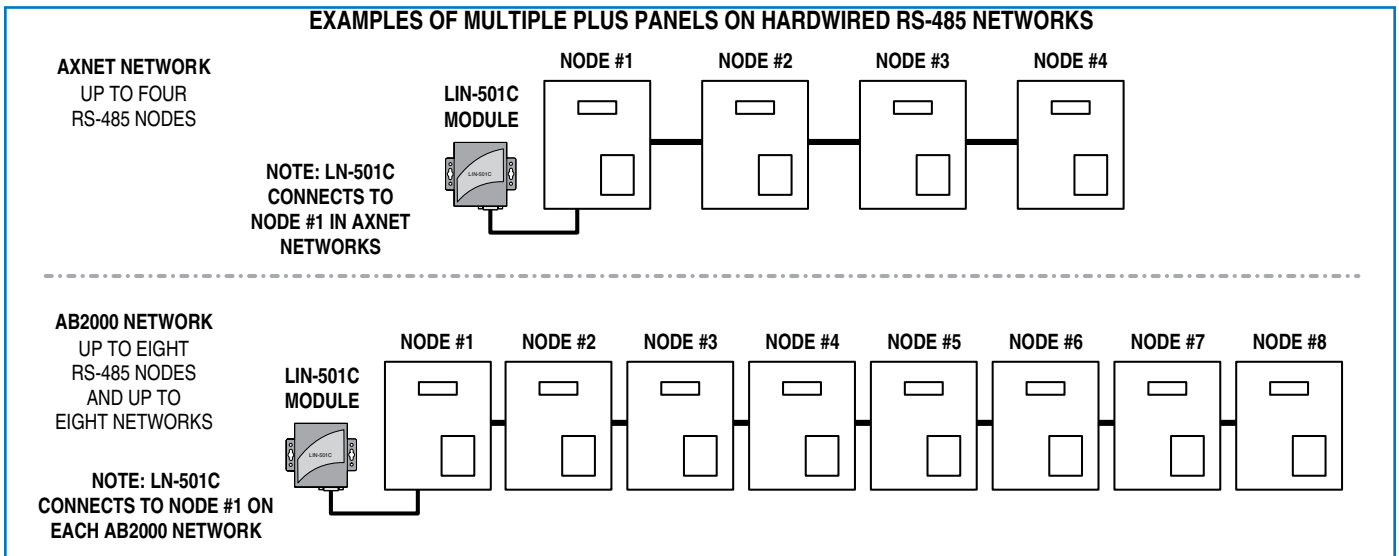
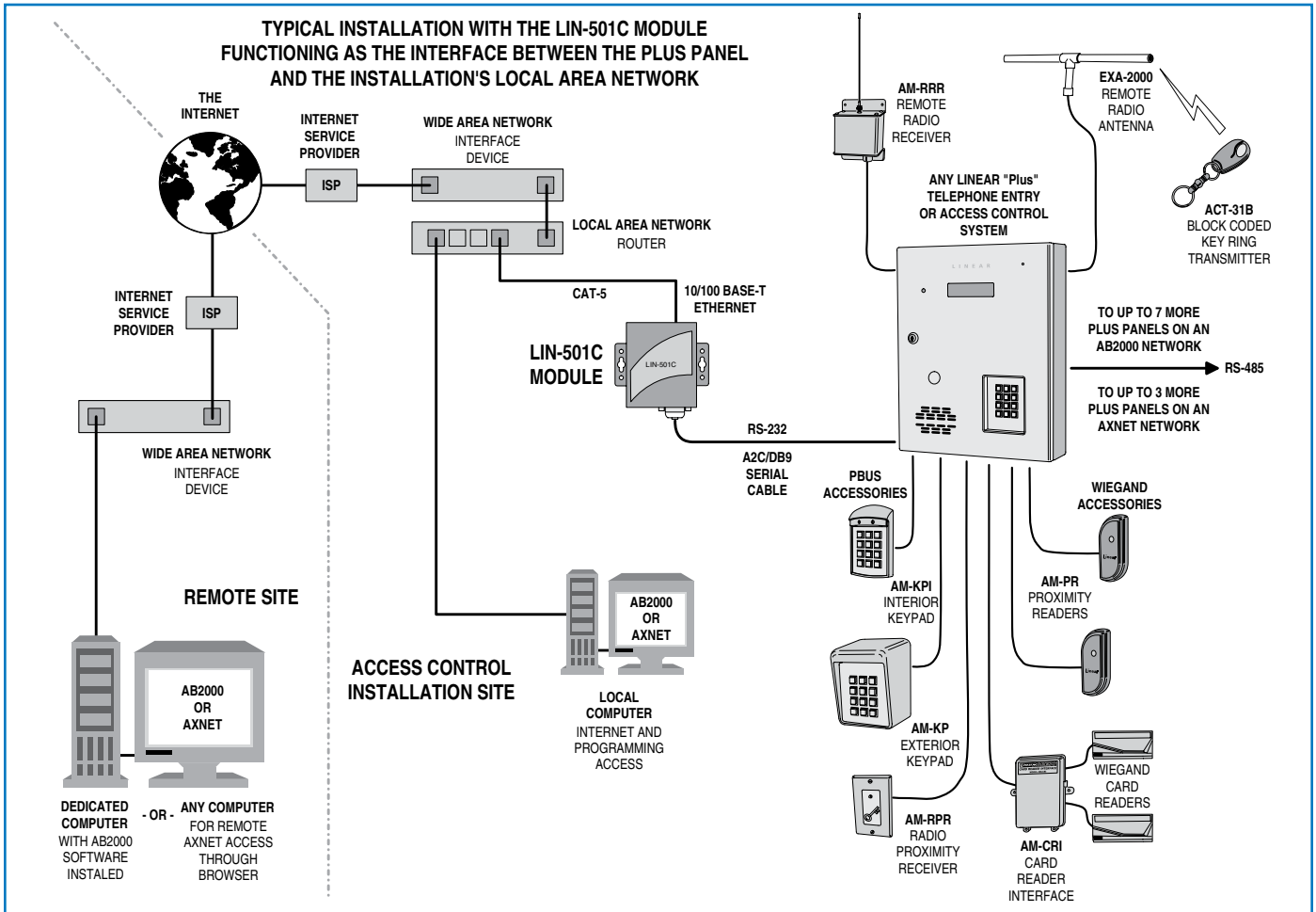
Serial Connection: Male DB9 for connection with A2C/DB9 serial cable (included)

Serial Port Speed: 38.4 Kbps

Mounting: DIN-rail or screw mounting

Dimensions (LIN-501C Module): 3-1/2" W x 3-3/4" H x 1" D

Weight: 6-1/2 ozs.



Network Issues

This data sheet only outlines basic installation examples. See additional setup/configuration information in "Quick Start Guide of AM-SEK" from Linear's website. LAN and WAN computer network topologies range from simple to large and complex. To setup and configure the LIN-501C on complex networks, it is highly recommended to seek assistance of an IT personnel responsible for maintaining such networks.