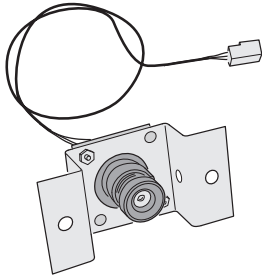


# CCM-2A

## Color Camera Module



### Installation Instructions



USA & Canada (800) 421-1587 & (800) 392-0123  
(760) 438-7000 - Toll Free FAX (800) 468-1340  
www.linearcorp.com

### PRODUCT DESCRIPTION

Linear's Model CCM-2A (P/N ACP00936A) CCTV camera can be installed inside the RE-2 Residential Telephone Entry System. The camera provides a video signal for viewing the area in front of the entry system.

The camera is continuously powered by the RE-2. Focus has been factory adjusted to a range of three to four feet. No adjustment is needed.

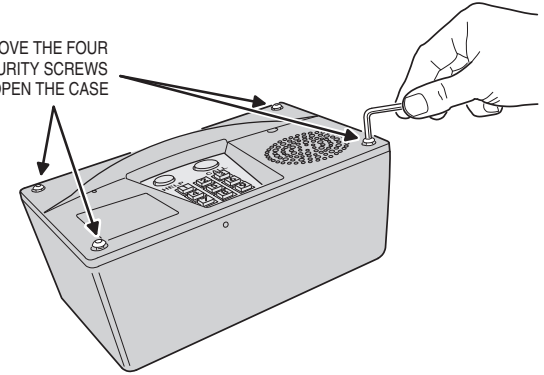
The **CAMERA** connector is used to connect the camera to the RE-2. The 3-conductor cable routes power to, and video from the camera.

The RE-2 provides a video jack for connection to a video cable with a Type "BNC" connector. Up to 400 feet of 75-ohm RG-59 video cable can be used. Longer cable runs may require the use of a video amplifier.

**NOTE:** If camera is being installed on an existing installation, system power should be off prior to installing the camera.

### 1. REMOVE THE COVER PLATE

REMOVE THE FOUR SECURITY SCREWS TO OPEN THE CASE



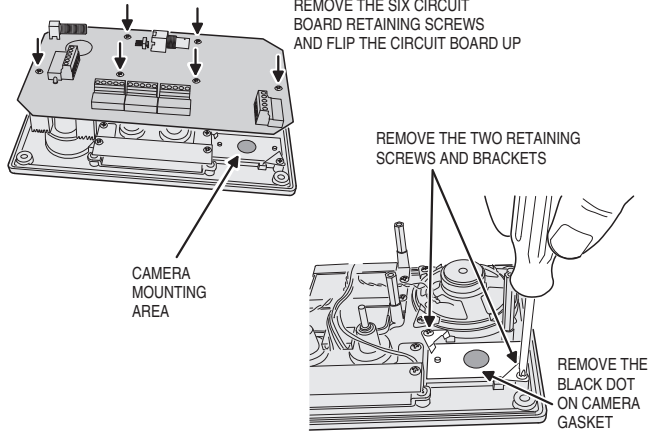
### 2. PREPARE TO MOUNT THE CAMERA

REMOVE THE SIX CIRCUIT BOARD RETAINING SCREWS AND FLIP THE CIRCUIT BOARD UP

REMOVE THE TWO RETAINING SCREWS AND BRACKETS

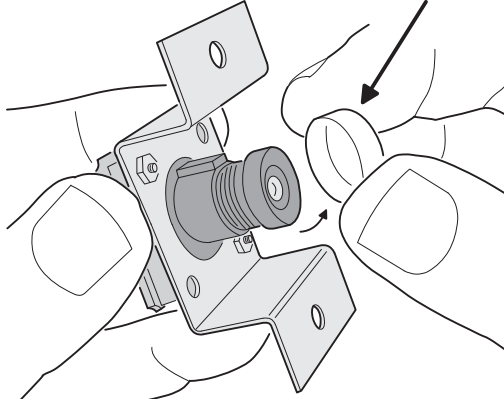
CAMERA MOUNTING AREA

REMOVE THE BLACK DOT ON CAMERA GASKET



### 3. REMOVE THE LENS CAP

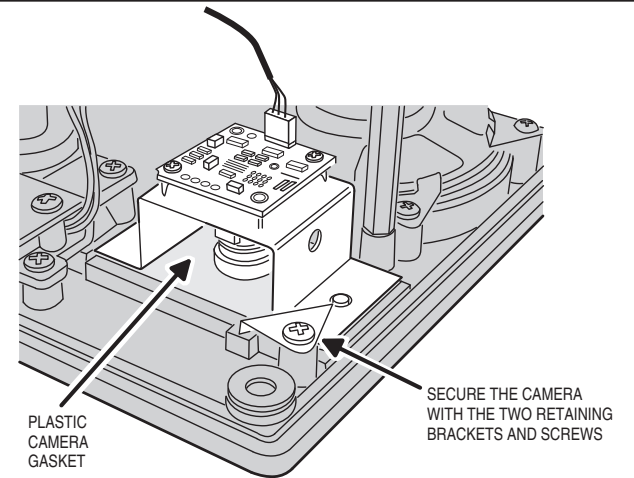
REMOVE THE LENS CAP FROM THE CAMERA LENS



### 4. INSTALL THE CAMERA

PLASTIC CAMERA GASKET

SECURE THE CAMERA WITH THE TWO RETAINING BRACKETS AND SCREWS



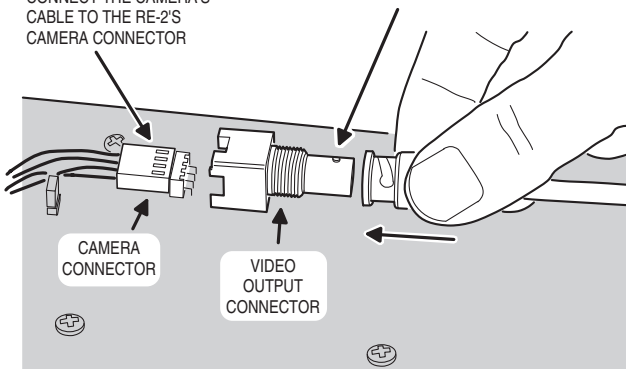
### 5. CONNECT THE CAMERA AND VIDEO CABLE

CONNECT THE CAMERA'S CABLE TO THE RE-2'S CAMERA CONNECTOR

CONNECT THE VIDEO CABLE FROM THE MONITOR OR MODULATOR TO THE RE-2'S VIDEO OUTPUT CONNECTOR

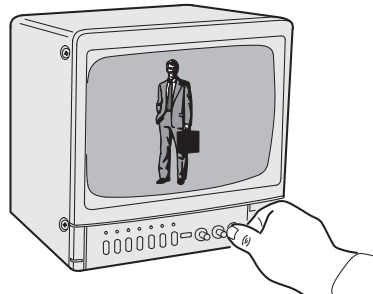
CAMERA CONNECTOR

VIDEO OUTPUT CONNECTOR



### 6. TEST CAMERA

APPLY POWER TO THE ACCESS SYSTEM THEN VIEW THE VIDEO MONITOR TO TEST THE VIDEO OUTPUT FROM THE CAMERA



### LINEAR LIMITED WARRANTY

This Linear product is warranted against defects in material and workmanship for twenty four (24) months. The Warranty Expiration Date is labeled on the product. **This warranty extends only to wholesale customers** who buy direct from Linear or through Linear's normal distribution channels. **Linear does not warrant this product to consumers.** Consumers should inquire from their selling dealer as to the nature of the dealer's warranty, if any. **There are no obligations or liabilities on the part of Linear Corporation for consequential damages arising out of or in connection with use or performance of this product or other indirect damages with respect to loss of property, revenue, or profit, or cost of removal, installation, or reinstatement.** All implied warranties, including implied warranties for merchantability and implied warranties for fitness, are valid only until Warranty Expiration Date as labeled on the product. **This Linear Corporation Warranty is in lieu of all other warranties express or implied.**

All products returned for warranty service require a Return Product Authorization Number (RPA#). Contact Linear Technical Services at 1-800-421-1587 for an RPA# and other important details.

**FCC NOTICE:** This device complies with FCC Rules Part 15. Operation is subject to the following two conditions: (1) This device may not cause harmful interference, and (2) This device must accept any interference received, including interference that may cause undesired operation.