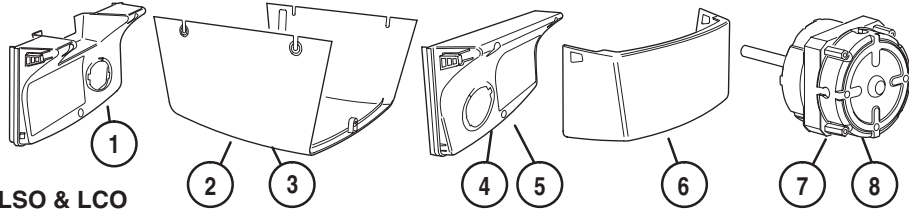
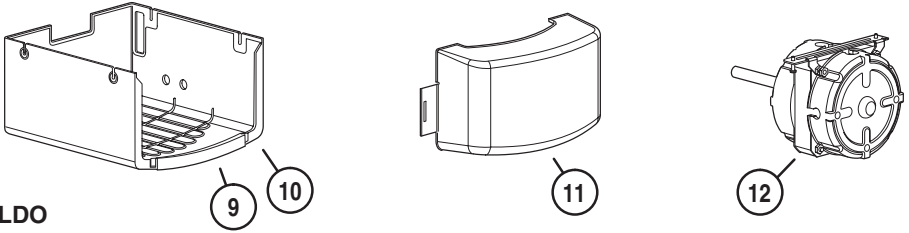


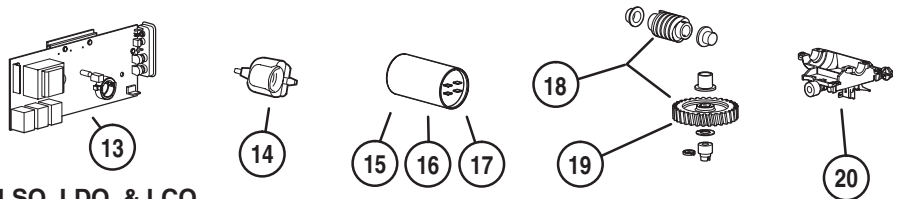
**OPERATOR HEAD PARTS**



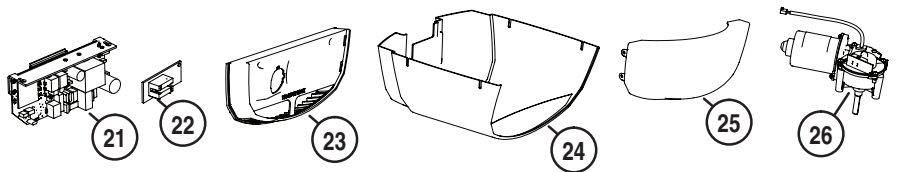
**LSO & LCO**



**LDO**

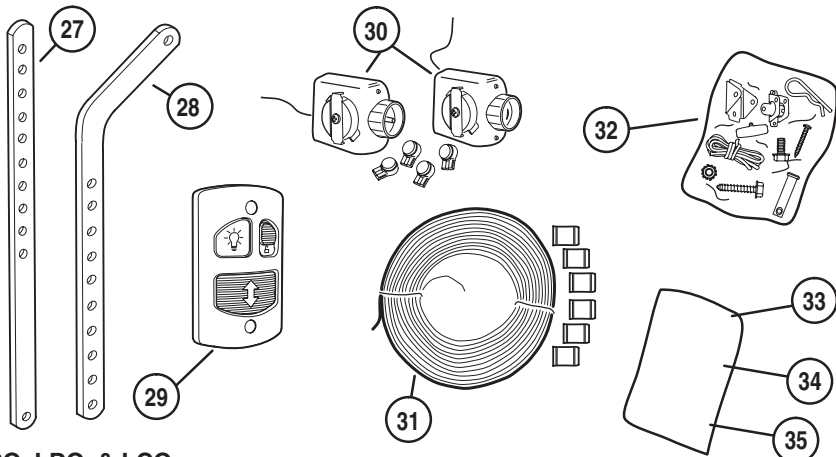


**LSO, LDO, & LCO**



**LDCO**

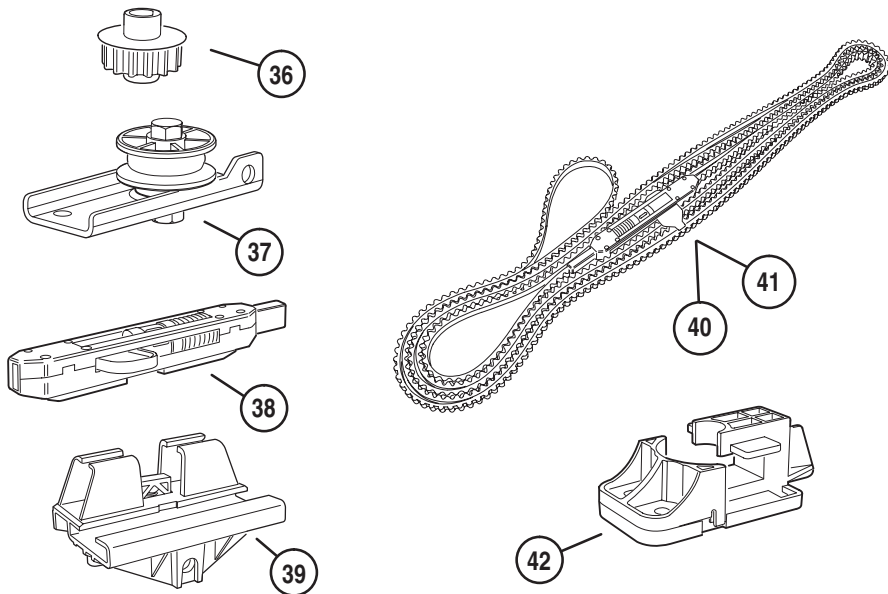
**MISCELLANEOUS OPERATOR PARTS**



**LSO, LDO, & LCO**

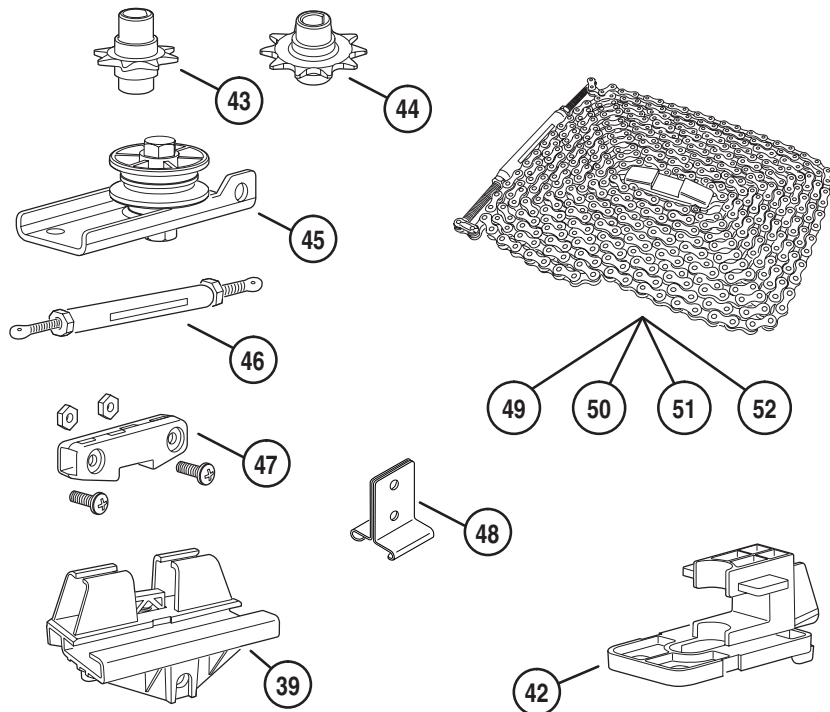
ITEM #	REPLACEMENT PART	PART #
1	REAR LSO& LCO END COVER (WITH LABELS)	HAE00041
2	MAIN LSO COVER (WITH LABELS)	HAE00026
3	MAIN LCO COVER (WITH LABELS)	HAE00042
4	FRONT LSO COVER (WITH LABELS)	HAE00028
5	FRONT LCO COVER (WITH LABELS)	HAE00043
6	LSO & LCO LENS COVER (FITS BOTH ENDS)	220918
7	LSO MOTOR	220919
8	LCO MOTOR	227645
9	1/3 HP LDO COVER (WITH LABELS)	HAE00011
10	1/2 HP LDO COVER (WITH LABELS)	HAE00012
11	LENS COVER	217645
12	LDO MOTOR	217881
13	CONTROL BOARD (LOGIC/RECEIVER/TORQUE)	HAE00040
14	LAMP SOCKET ASSEMBLY	218014-02
15	1/3HP CAPACITOR (43-53 MFD) <i>FOR LDO33 ONLY</i>	219109
16	1/2HP CAPACITOR (53-64 MFD) <i>FOR LDO50 ONLY</i>	219110
17	3/4HP CAPACITOR (65 MFD) <i>FOR LCO75 ONLY</i>	232168
18	HELICAL AND WORM GEARS (WITH GREASE)	HAE00047
19	HELICAL GEAR (WITH GREASE)	HAE00048
20	LIMIT SWITCH ASSEMBLY	HAE00004
21	LDCO CONTROL BOARD, BBU COMPATIBLE	HAE00061
*22	LDCO ENCODER BOARD	HAE00058
23	LDCO FRONT COVER (WITH LABEL)	HAE00051
24	LDCO MAIN COVER (WITH INSULATION AND LABELS)	HAE00052
25	LDCO LIGHT LENS	228152
*26	LDCO MOTOR (WITH ENCODER)	HAE00057
27	DOOR ARM - STRAIGHT	227966
28	DOOR ARM - BENT	227967
29	WALL STATION	HAE00001
30	SAFETY BEAM SENDER & RECEIVER (WITH WIRE)	HAE00002
31	WIRE KIT (15 SETS OF WIRE AND CLIPS)	HAE00044
32	COMPLETE HARDWARE KIT	220205-02
33	LDO INSTRUCTIONS AND LABELS	HAE00030
34	LSO INSTRUCTIONS AND LABELS	HAE00031
35	LCO INSTRUCTIONS AND LABELS	HAE00045

**OPERATOR RAIL PARTS**



**HBT BELT DRIVE RAILS**

**HCT and HCI CHAIN DRIVE RAILS**



**GARAGE DOOR OPERATOR REPLACEMENT PARTS LIST**

ITEM #	REPLACEMENT PART	PART #
36	HBT DRIVE SPROCKET	220499
37	HBT PULLEY AND BRACKET	218954-03
38	HBT INNER SLIDE ASSEMBLY	HAE00022
39	TROLLEY ASSEMBLY	218189-01
40	7 FOOT BELT ASSEMBLY	HAE00023
41	8 FOOT BELT ASSEMBLY	HAE00033
42	DRIVE SPROCKET HOLDER AND BELT CLAMP <i>BELT CLAMP FOR USE ON HBT BELT RAILS ONLY</i>	HAE00049
43	HCT DRIVE SPROCKET	217436
44	HCI DRIVE SPROCKET	227653
45	HCT PULLEY AND BRACKET	HAE00014
46	HCT TURNBUCKLE ASSEMBLY	HAE00013
47	HCT INNER SLIDE ASSEMBLY	HAE00018
48	CENTER SUPPORT BRACKET	CSB
49	7 FOOT CHAIN ASSEMBLY	HAE00015
50	8 FOOT CHAIN ASSEMBLY	HAE00032
51	10 FOOT CHAIN ASSEMBLY	HAE00017
52	12 FOOT CHAIN ASSEMBLY	HAE00046

\*For LDCO800 operators manufactured before 04/2011, compatible replacement part number HAE00053 for motor with encoder and HAE00054 for encoder board.