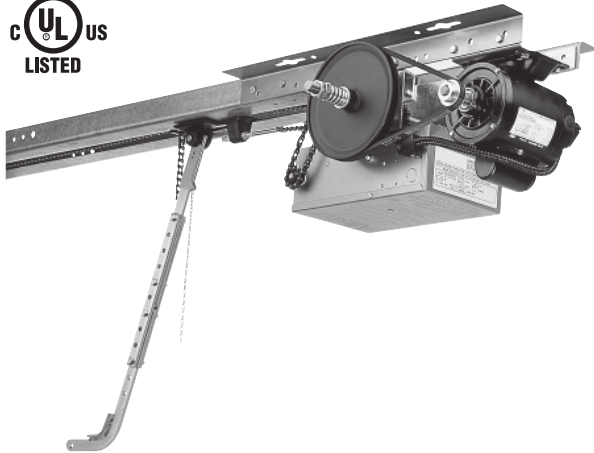


**AUD SERIES**

Extended-Duty Drawbar Commercial Door Operator



Product No. See table below

DOOR TYPE	MAXIMUM DOOR AREA (SQ. FEET)		
	330	420	570
Fiberglass			
Steel-24 Ga. Steel-22 Ga. Aluminum	310	395	540
Wood Steel-20 Ga. Steel-24 Ga. insulated	280	340	500
Steel-16 Ga. Steel-20 Ga. insulated	195	275	400
Steel-16 Ga. insulated	145	225	300
Operator size to use →	1/3 HP	1/2 HP	3/4 HP

MODEL	HP	VOLTAGE & PHASE
AUD3311	1/3	115V 1P
AUD3321		230V 1P
AUD3323		230V 3P
AUD3343		460V 3P
AUD5011	1/2	115V 1P
AUD5021		230V 1P
AUD5023		230V 3P
AUD5043		460V 3P
AUD7511	3/4	115V 1P
AUD7521		230V 1P
AUD7523		230V 3P
AUD7543		460V 3P

Extended-duty drawbar garage door operator for standard lift sectional doors.

**RATINGS**

- Maximum duty cycle: 35 cycles per hour, 100+ cycles per day
- Maximum door height: 22-1/2 feet
- Shipping weight: 130 lbs.

**FEATURES**

- All Steel frame
- Adjustable friction clutch
- 3/4" Shafting used throughout
- #65 Roller chain on 1/3 HP
- #41 Roller chain on 1/2, 3/4 HP
- Solenoid brake standard on 3/4 HP (optional on 1/3 & 1/2 HP)
- **Solid state or electromechanical control circuit**
- Motor overload protection
- Wired to accept reversing devices
- Internally adjustable limit switches
- High starting torque, continuous duty motor
- 24-Volt control circuit with OPEN, CLOSE and STOP push button station
- OPEN button (and single button) will automatically override down travel and reverse door to the full open position
- External terminals for single button (residential type) radio control

**RAIL OPTIONS**

- Rail for up to 14' 6" high doors
- Rail for up to 16' 6" high doors
- Rail for up to 18' 6" high doors
- Rail for up to 20' 6" high doors
- Rail for up to 22' 6" high doors

**FACTORY OPTIONS**

- Solid state controller: Add S to model number
- Solenoid brake: Add -BK to model number
- MVP-MR 3-channel open-close-stop modular receiver installed (on solid state controller model only): P/N 2650-159
- MVP-RE-24V-8W-FC 1-door open-close-stop receiver (for electromechanical controller model only): P/N 190-110554

**WARRANTY**

- 2 years

CUSTOMER \_\_\_\_\_

PROJECT \_\_\_\_\_

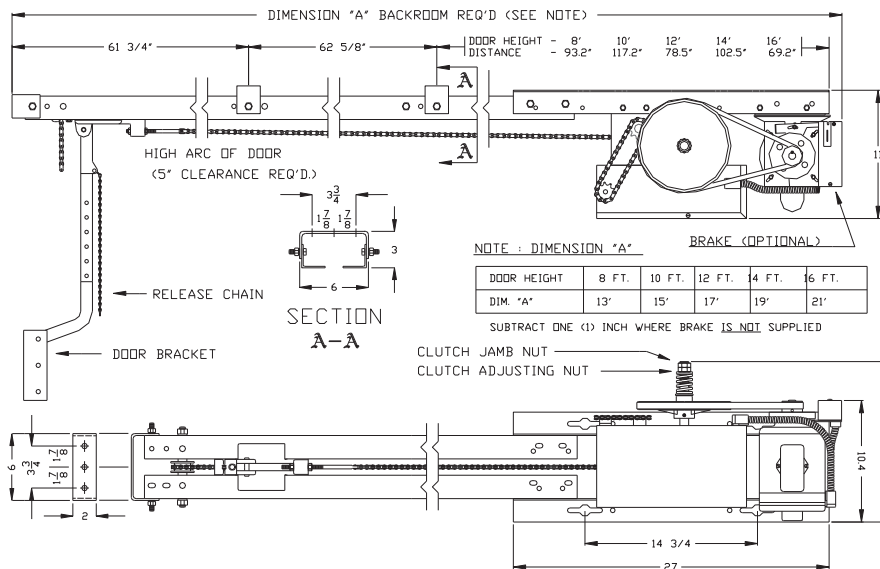
ARCHITECT/ENGINEER \_\_\_\_\_

CONTRACTOR \_\_\_\_\_

DRAWING NUMBER \_\_\_\_\_

DATE \_\_\_\_\_

SHEET OF \_\_\_\_\_



**ORDERING INFORMATION:**

SUPPLY \_\_\_\_\_ LINEAR OPERATOR(S) MODEL A U D \_\_\_\_\_ S \_\_\_\_\_

WITH A MOTOR RATING OF \_\_\_\_\_ HP, \_\_\_\_\_ VOLTS, \_\_\_\_\_ PHASE, \_\_\_\_\_ HERTZ

FOR A \_\_\_\_\_ WIDE X \_\_\_\_\_ HIGH DOOR(S) WITH \_\_\_\_\_

SUPPLY \_\_\_\_\_ OPEN-CLOSE-STOP CONTROL STATION(S) IN NEMA \_\_\_\_\_ ENCLOSURE PER OPERATOR

AUXILIARY AND OPTIONAL EQUIPMENT AS SPECIFIED BELOW OR ON ATTACHED SHEET:

**ARCHITECTURAL SPECIFICATIONS (DRAWBAR):**

Electric door operator(s) shall be Solid State Control Model AU D of the trolley (drawbar) type, manufactured by Linear LLC and Underwriters Laboratory (UL) listed. Horsepower, voltage and phase will be as required to properly operate the door. Operators will be equipped with two-stage speed reduction (V-belt primary and roller chain and sprocket secondary) and an adjustable slip clutch. Each operator will have a double angle (nominal 11 gage, 2" X 2") trolley track of sufficient length to accommodate the height of the installed door. The trolley will be driven with roller chain. The door arm will be provided with a trolley disconnect for manual door operation. The operator will be equipped with an integral limit system that provides accurate settings to control the open and close positions of the door and will not be affected by manual door operation or motor removal. The motor and operator will be protected against overload by a thermal protector. The operator will have a 24VAC secondary solid state control circuit with advanced switch selectable features, motor load delivered via high amperage, inductive load rated relays. The operator will have provisions for connecting open-close-stop pushbutton stations, radio controls, and external obstruction sensing (reversing) systems. Operator will drive the door at a speed of approximately 11-12 inches per second.

**NOTES:**

REFER TO PRODUCT DATA SHEET FOR GENERAL INFORMATION

REFER TO DRAWING \_\_\_\_\_ FOR WIRING DIAGRAM

**LINEAR LLC**  
1950 Camino Vida Roble Ste. 150  
Carlsbad, CA 92008  
Copyright © 2010 Linear LLC P887 X1

Phone 800-421-1587  
Fax 800-468-1340  
Website www.linearcorp.com

