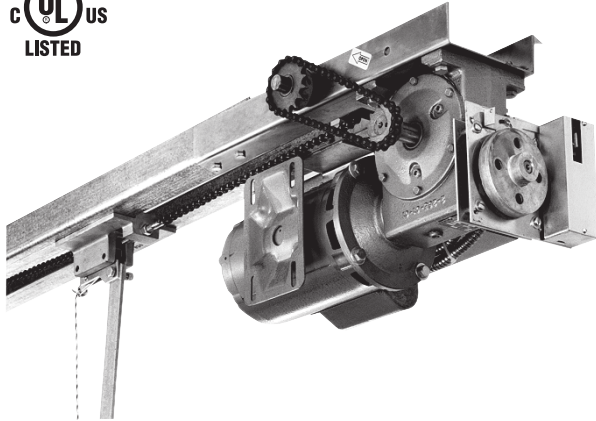


GT SERIES

Extra Heavy-Duty Gear Reduced Drawbar Commercial Door Operator



Product No. See table below

DOOR TYPE	MAXIMUM DOOR AREA (SQ. FEET)		
	420	570	625
Fiberglass	420	570	625
Steel-24 Ga. Steel-22 Ga. Aluminum	350	520	575
Wood Steel-20 Ga. Steel-24 Ga. insulated	320	480	525
Steel-16 Ga. Steel-20 Ga. insulated	250	380	425
Steel-16 Ga. insulated	200	280	325
Operator size to use →	1/2 HP	3/4 HP	1 HP

MODEL	HP	VOLTAGE & PHASE
GT5011	1/2	115V 1P
GT5021		230V 1P
GT5023		230V 3P
GT5043		460V 3P
GT7511	3/4	115V 1P
GT7521		230V 1P
GT7523		230V 3P
GT7543		460V 3P
GT10011	1	115V 1P
GT10021		230V 1P
GT10023		230V 3P
GT10043		460V 3P

Extra heavy-duty gear reduced drawbar garage door operator for standard lift sectional doors.

RATINGS

- Maximum duty cycle: 35 cycles per hour, 150+ cycles per day
- Maximum door height: 22-1/2 feet
- Shipping weight: 170 lbs.

FEATURES

- All steel frame
- Oil bath gear reduction unit
- Quick disconnect door arm for manual door operation
- #41 roller chain drive
- Standard door speed approximately 11 inches per second
- Adjustable Torque Converter
- **Solid state (up to 3/4 HP) or electromechanical control circuit**
- Solenoid brake standard
- Motor overload protection
- Wired to accept reversing devices
- Internally adjustable limit switches
- High starting torque, continuous duty motor
- TEFC Motor standard on single phase 1 HP and over, and all 3 phase operators
- 24-Volt control circuit with OPEN, CLOSE and STOP push button station
- OPEN button (and single button) will automatically override down travel and reverse door to the full open position
- External terminals for single button (residential type) radio control (electromechanical controller only)

RAIL OPTIONS

- Rail for up to 14' 6" high doors
- Rail for up to 16' 6" high doors
- Rail for up to 18' 6" high doors
- Rail for up to 20' 6" high doors
- Rail for up to 22' 6" high doors

FACTORY OPTIONS

- Solid state controller: Add S to model number
- MVP-MR 3-channel open-close-stop modular receiver installed (on solid state controller model only): P/N 2650-159
- MVP-RE-24V-8W-FC 1-door open-close-stop receiver (for electromechanical controller model only): P/N 190-110554

WARRANTY

- 2 years

Solid State Control

GT Series

GEARHEAD DRAWBAR OPERATOR

Heavy-Duty Commercial Operator

CUSTOMER

PROJECT

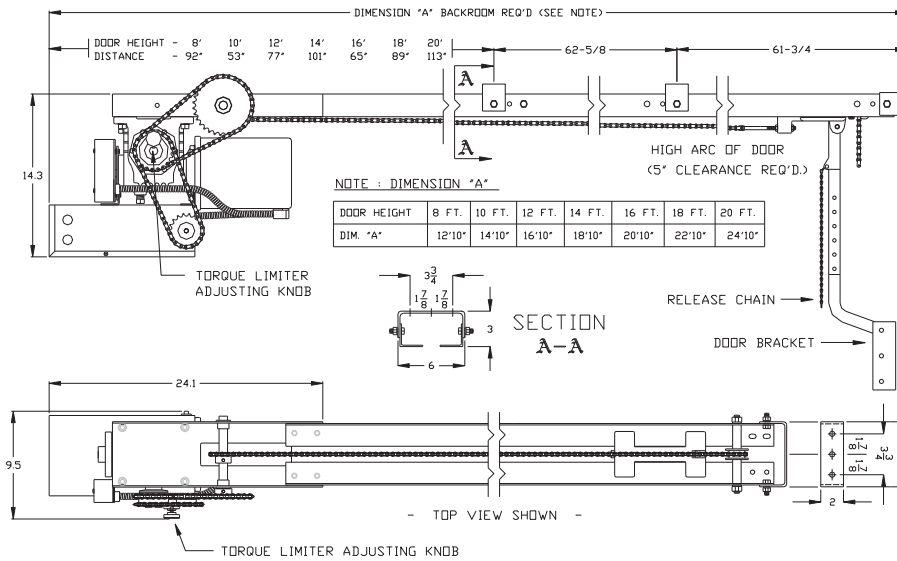
ARCHITECT/ENGINEER

CONTRACTOR

DRAWING NUMBER

DATE

SHEET OF



ORDERING INFORMATION:

SUPPLY _____ LINEAR OPERATOR(S) MODEL GT _____ S _____
 WITH A MOTOR RATING OF _____ HP, _____ VOLTS, _____ PHASE, _____ HERTZ
 FOR A _____ WIDE X _____ HIGH DOOR(S) WITH _____
 SUPPLY _____ OPEN-CLOSE-STOP CONTROL STATION(S) IN NEMA _____ ENCLOSURE PER OPERATOR

AUXILIARY AND OPTIONAL EQUIPMENT AS SPECIFIED BELOW OR ON ATTACHED SHEET:

ARCHITECTURAL SPECIFICATIONS (DRAWBAR):

Electric door operator(s) shall be Solid State Control Model GT of the gearhead trolley (drawbar) type, manufactured by Linear LLC and Underwriters Laboratory (UL) listed. Horsepower, voltage and phase will be as required to properly operate the door. Operators will be equipped with speed reduction (enclosed gear reducer having worm and worm gear running in oil bath). The operator will have a double angle (nominal 11 gage, 2" X 2") trolley track of sufficient length to accommodate the height of the installed door. The trolley will be driven with roller chain. The door arm will be provided with a trolley disconnect for manual door operation. The operator will be equipped with an integral limit system that provides accurate settings to control the open and close positions of the door and will not be affected by manual door operation or motor removal. The motor and operator will be protected against overload by a thermal protector. The operator will have a 24VAC secondary solid state control circuit with advanced switch selectable features, motor load delivered via high amperage, inductive load rated relays. The operator will have provisions for connecting open-close-stop pushbutton stations, radio controls, and external obstruction sensing (reversing) systems. The door speed will be approximately 11-12 inches per second.

NOTES:

REFER TO PRODUCT DATA SHEET FOR GENERAL INFORMATION
 REFER TO DRAWING _____ FOR WIRING DIAGRAM

LINEAR LLC
 1950 Camino Vida Roble, Ste. 150
 Carlsbad, CA 92008
 Copyright © 2010 Linear LLC P888 X1

Phone 800-421-1587
 Fax 800-468-1340
 Website www.linearcorp.com

