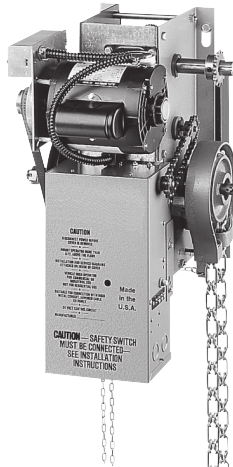


### H SERIES

### Heavy-Duty Jackshaft Commercial Door Operator



Equipped with Chain Hoist and Floor Level Disconnect

Product No. See table below

DOOR TYPE	MAXIMUM DOOR AREA (SQ. FEET)			
	330	420	570	700
Fiberglass	330	420	570	700
Steel-24 Ga. Steel-22 Ga. Aluminum	310	375	540	625
Wood Steel-20 Ga. Steel-24 Ga. insulated	280	340	500	560
Steel-16 Ga. Steel-20 Ga. insulated	195	275	400	420
Steel-16 Ga. insulated	145	225	300	310
Operator size to use →	1/3 HP	1/2 HP	3/4 HP	1 HP

MODEL	HP	VOLTAGE & PHASE
H3311	1/3	115V 1P
H3321		230V 1P
H3323		230V 3P
H3343		460V 3P
H5011	1/2	115V 1P
H5021		230V 1P
H5023		230V 3P
H5043		460V 3P
H7511	3/4	115V 1P
H7521		230V 1P
H7523		230V 3P
H7543		460V 3P
H10023	1	230V 3P
H10043		460V 3P

Heavy-duty jackshaft garage door operator for vertical or high lift sectional doors and rolling steel curtain doors.

#### RATINGS

- Maximum duty cycle: 25 cycles per hour, 100 cycles per day
- Maximum door height: 24 feet
- Shipping weight: 105 lbs.

#### FEATURES

- Floor level disconnect and chain hoist with interlock for manual door operation
- Manual operation will not affect limit switch settings
- All Steel Frame
- All gears and pulleys pinned or keyed
- Adjustable friction type clutch
- #50 Drive sprocket and chain
- **Solid state (up to 3/4 HP) or electromechanical control circuit**
- Solenoid brake standard
- Motor overload protection
- Wired to accept reversing devices
- Internally adjustable limit switches
- High starting torque, continuous duty motor
- 24-Volt control circuit with OPEN, CLOSE and STOP push button station
- OPEN button (and single button) will automatically override down travel and reverse door to the full open position
- External terminal for single-button (residential type) radio control

#### FACTORY OPTIONS

- Solid state controller: Add S to model number
- MVP-MR 3-channel open-close-stop modular receiver installed (on solid state controller model only): P/N 2650-159
- MVP-RE-24V-8W-FC 1-door open-close-stop receiver (for electromechanical controller model only): P/N 190-110554

#### WARRANTY

- 2 years

**Solid State Control**

**H Series**

**JACKSHAFT OPERATOR WITH CHAIN HOIST**

**Heavy-Duty Commercial Operator**

CUSTOMER \_\_\_\_\_

PROJECT \_\_\_\_\_

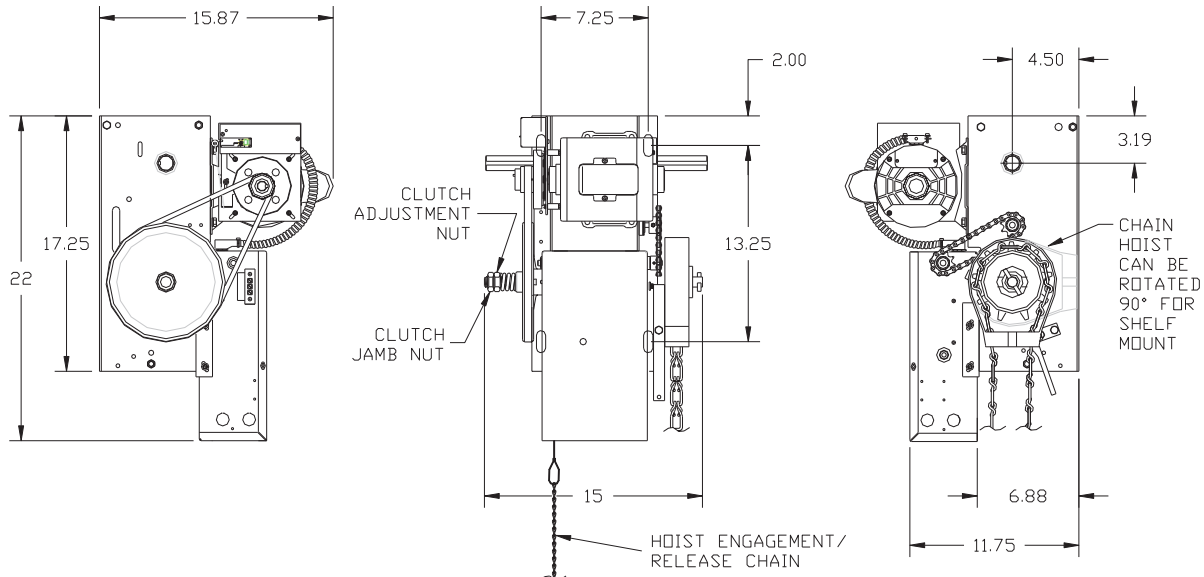
ARCHITECT/ENGINEER \_\_\_\_\_

CONTRACTOR \_\_\_\_\_

DRAWING NUMBER \_\_\_\_\_

DATE \_\_\_\_\_

SHEET \_\_\_\_\_ OF \_\_\_\_\_



**ORDERING INFORMATION:**

SUPPLY \_\_\_\_\_ LINEAR OPERATOR(S) MODEL H \_\_\_\_\_ S \_\_\_\_\_

WITH A MOTOR RATING OF \_\_\_\_\_ HP, \_\_\_\_\_ VOLTS, \_\_\_\_\_ PHASE, \_\_\_\_\_ HERTZ

FOR A \_\_\_\_\_ WIDE X \_\_\_\_\_ HIGH DOOR(S) WITH \_\_\_\_\_

SUPPLY \_\_\_\_\_ OPEN-CLOSE-STOP CONTROL STATION(S) IN NEMA \_\_\_\_\_ ENCLOSURE PER OPERATOR

\_\_\_\_\_ DRIVE SPROCKET \_\_\_\_\_ DOOR SPROCKET

AUXILIARY AND OPTIONAL EQUIPMENT AS SPECIFIED BELOW OR ON ATTACHED SHEET:

**ARCHITECTURAL SPECIFICATIONS (HOIST):**

Electric door operator(s) shall be Solid State Control Model H of the jackshaft hoist type, manufactured by Linear LLC and Underwriters Laboratory (UL) listed. Horsepower, voltage and phase will be as required to properly operate the door. Operators will be equipped with two-stage speed reduction (V-belt primary and roller chain and sprocket secondary) and an adjustable slip clutch. A floor level disconnect device with chain hoist will be provided for mechanical disengagement to allow for manual door operation. An electrical interlock switch will cut power to the control circuit when in manual operation. The operator will be equipped with an integral limit system that provides accurate settings to control the open and close positions of the door and will not be affected by manual door operation or motor removal. The motor and operator will be protected against overload by a thermal protector and will be equipped with a solenoid operated brake with internal expanding 360 degree brake shoe. The operator will have a 24VAC secondary solid state control circuit with advanced switch selectable features, motor load delivered via high amperage, inductive load rated relays. The operator will have provisions for connecting open-close-stop pushbutton stations, radio controls, and external obstruction sensing (reversing) systems. Operator will drive the door at a speed of approximately 11 inches per second.

**NOTES:**

REFER TO PRODUCT DATA SHEET FOR GENERAL INFORMATION

REFER TO DRAWING \_\_\_\_\_ FOR WIRING DIAGRAM

**LINEAR LLC**  
1950 Camino Vida Roble Ste. 150  
Carlsbad, CA 92008  
Copyright © 2010 Linear LLC P889 X1

**Phone** 800-421-1587  
**Fax** 800-468-1340  
**Website** www.linearcorp.com

**Linear**<sup>®</sup>  
Building On Innovation.