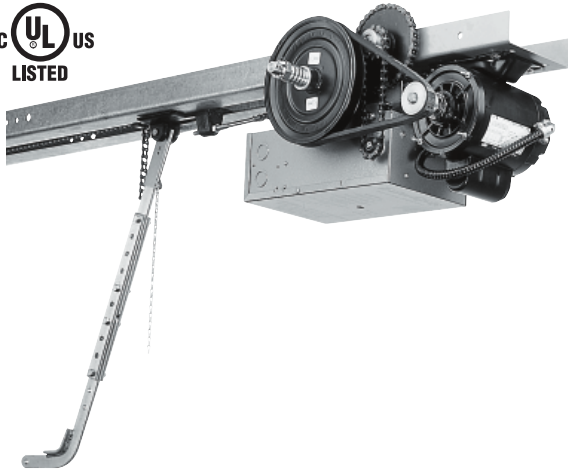


**T SERIES**

Heavy-Duty Drawbar Commercial Door Operator



Product No. See table below

Heavy-duty drawbar garage door operator for standard lift sectional doors.

**RATINGS**

- Maximum duty cycle: 25 cycles per hour, 100 cycles per day
- Maximum door height: 22-1/2 feet
- Shipping weight: 135 lbs.

**FEATURES**

- All welded steel frame
- 5L V-Belt drive from motor to clutch shaft
- #65 Roller chain on 1/3 and 1/2 HP
- #41 Roller chain on 3/4 HP
- Quick disconnect door arm for manual door operation
- Solenoid brake standard on 3/4 HP (optional on 1/2 & 3/4 HP)
- **Solid state or electromechanical control circuit**
- Motor overload protection
- Wired to accept reversing devices
- Internally adjustable limit switches
- High starting torque, continuous duty motor
- 24-Volt control circuit with OPEN, CLOSE and STOP push button station
- OPEN button (and single button) will automatically override down travel and reverse door to the full open position
- External terminal for single-button (residential type) radio control

DOOR TYPE	MAXIMUM DOOR AREA (SQ. FEET)		
	310	420	570
Fiberglass			
Steel-24 Ga. Steel-22 Ga. Aluminum	285	350	520
Wood Steel-20 Ga. Steel-24 Ga. insulated	260	320	480
Steel-16 Ga. Steel-20 Ga. insulated	175	250	380
Steel-16 Ga. insulated	125	200	280
Operator size to use →	1/3 HP	1/2 HP	3/4 HP

**RAIL OPTIONS**

- Rail for up to 14' 6" high doors
- Rail for up to 16' 6" high doors
- Rail for up to 18' 6" high doors
- Rail for up to 20' 6" high doors
- Rail for up to 22' 6" high doors

MODEL	HP	VOLTAGE & PHASE
T3311	1/3	115V 1P
T3321		230V 1P
T3323		230V 3P
T3343		460V 3P
T5011	1/2	115V 1P
T5021		230V 1P
T5023		230V 3P
T5043		460V 3P
T7511	3/4	115V 1P
T7521		230V 1P
T7523		230V 3P
T7543		460V 3P

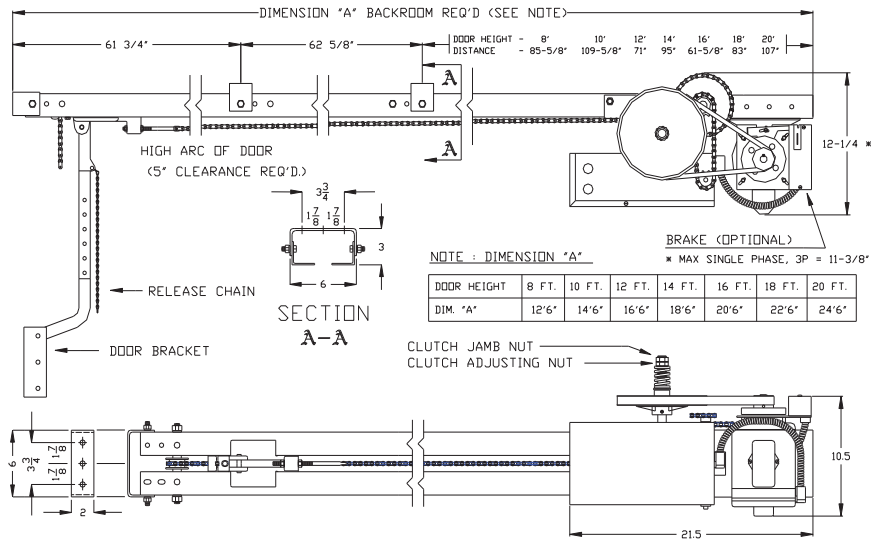
**FACTORY OPTIONS**

- Solid state controller: Add S to model number
- Solenoid brake: Add -BK to model number
- MVP-MR 3-channel open-close-stop modular receiver installed (on solid state controller model only): P/N 2650-159
- MVP-RE-24V-8W-FC 1-door open-close-stop receiver (for electromechanical controller model only): P/N 190-110554

**WARRANTY**

- 2 years

CUSTOMER \_\_\_\_\_  
 PROJECT \_\_\_\_\_  
 ARCHITECT/ENGINEER \_\_\_\_\_  
 CONTRACTOR \_\_\_\_\_  
 DRAWING NUMBER \_\_\_\_\_ DATE \_\_\_\_\_ SHEET \_\_\_\_\_ OF \_\_\_\_\_



**ORDERING INFORMATION:**

SUPPLY \_\_\_\_\_ **LINEAR OPERATOR(S) MODEL T \_\_\_\_\_ S \_\_\_\_\_**  
 WITH A MOTOR RATING OF \_\_\_\_\_ HP, \_\_\_\_\_ VOLTS, \_\_\_\_\_ PHASE, \_\_\_\_\_ HERTZ  
 FOR A \_\_\_\_\_ WIDE X \_\_\_\_\_ HIGH DOOR(S) WITH \_\_\_\_\_  
 SUPPLY \_\_\_\_\_ OPEN-CLOSE-STOP CONTROL STATION(S) IN NEMA \_\_\_\_\_ ENCLOSURE PER OPERATOR

AUXILIARY AND OPTIONAL EQUIPMENT AS SPECIFIED BELOW OR ON ATTACHED SHEET:

**ARCHITECTURAL SPECIFICATIONS (DRAWBAR):**

Electric door operator(s) shall be Solid State Control Model T of the trolley (drawbar) type, manufactured by Linear LLC and Underwriters Laboratory (UL) listed. Horsepower, voltage and phase will be as required to properly operate the door. Operators will be equipped with two-stage speed reduction (V-belt primary and roller chain and sprocket secondary) and an adjustable slip clutch. The operator will have a double angle (nominal 11 gage, 2" X 2") trolley track of sufficient length to accommodate the height of the installed door. The trolley will be driven with roller chain. The door arm will be provided with a trolley disconnect for manual door operation. The operator will be equipped with an integral limit system that provides accurate settings to control the open and close positions of the door and will not be affected by manual door operation or motor removal. The motor and operator will be protected against overload by a thermal protector. The operator will have a 24VAC secondary solid state control circuit with advanced switch selectable features, motor load delivered via high amperage, inductive load rated relays. The operator will have provisions for connecting open-close-stop pushbutton stations, radio controls, and external obstruction sensing (reversing) systems. The door speed will be approximately 11-12 inches per second.

NOTES:  
 REFER TO PRODUCT DATA SHEET FOR GENERAL INFORMATION  
 REFER TO DRAWING \_\_\_\_\_ FOR WIRING DIAGRAM

**LINEAR LLC**  
 1950 Camino Vida Roble Ste. 150  
 Carlsbad, CA 92009

**Phone** 800-421-1587  
**Fax** 800-468-1340  
**Website** www.linearcorp.com

