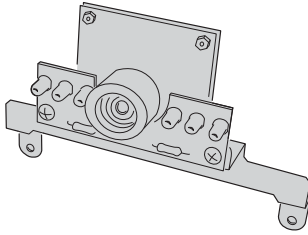


RE-BWC1

Black & White CCTV Camera

Installation Instructions



Linear

(760) 438-7000
USA & Canada (800) 421-1587 & (800) 392-0123
Toll Free FAX (800) 466-1340
www.linearcorp.com

PRODUCT DESCRIPTION

Linear's Model RE-BWC1 (P/N ACP00886A) CCTV camera can be installed inside the RE-1 Entry System. The camera provides a video signal for viewing the area in front of the entry system.

The camera is continuously powered by the RE-1. The camera's infrared light emitters illuminate the area directly on front of the entry system for nighttime or low light operation.

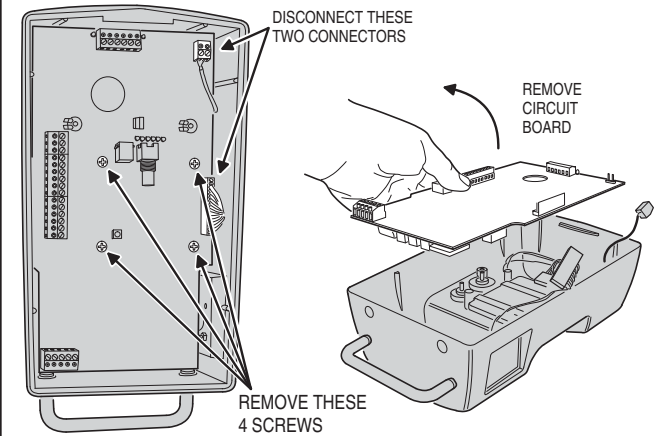
The camera focus has been factory adjusted to a range of three to four feet.

The RE-1 **CAMERA** jack is used to connect the camera to the main circuit board with the single-ended modular cable supplied with the camera. This cable routes power to, and video from the camera.

The RE-1 **VIDEO** jack is for connection to a video cable with a Type "BNC" connector. Up to 300 feet of 75-ohm RG-59 video cable can be used. Longer cable runs may require the use of a video amplifier.

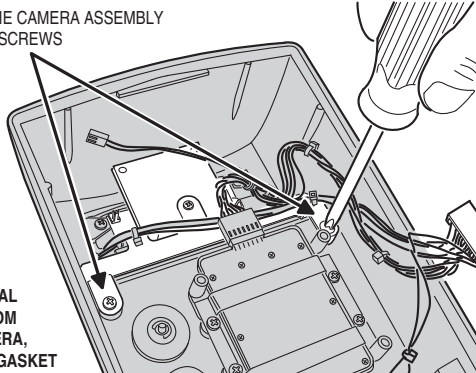
NOTE: If camera is being installed on an existing installation, power must be off prior to removing circuit board.

1. REMOVE CIRCUIT BOARD



2. MOUNT THE CAMERA

SECURE THE CAMERA ASSEMBLY WITH TWO SCREWS

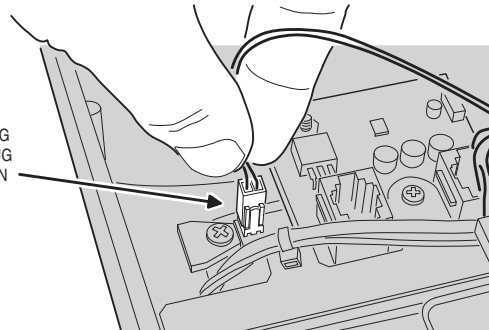


IMPORTANT!

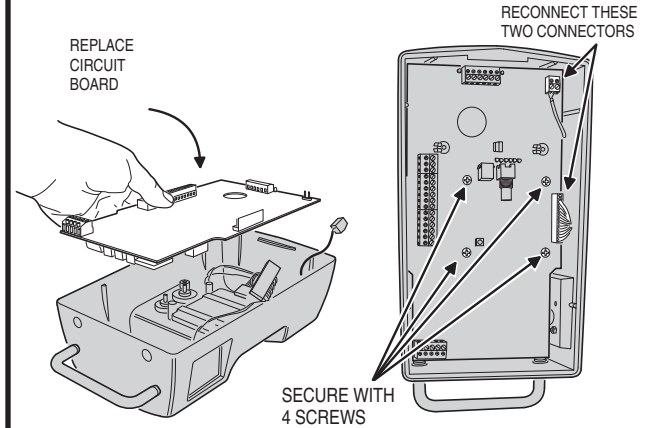
TO PREVENT INTERNAL INFRARED LIGHT FROM ENTERING THE CAMERA, BE SURE THE FOAM GASKET AROUND THE CAMERA'S LENS PRESSES FIRMLY AGAINST THE RE-1'S FACEPLATE

3. CONNECT LIGHTING POWER

INSERT WIRING HARNESS PLUG INTO THE 2-PIN LIGHTING CONNECTOR

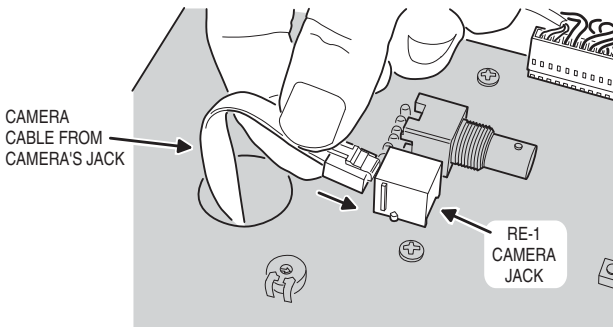


4. REPLACE CIRCUIT BOARD



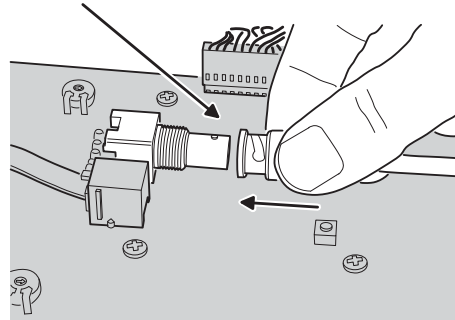
5. CONNECT CAMERA CABLE

PLUG THE CAMERA CABLE INTO THE CAMERA'S JACK AND THE RE-1'S CAMERA JACK



6. CONNECT VIDEO CABLE

CONNECT THE VIDEO CABLE FOR THE MONITOR TO THE RE-1'S VIDEO OUTPUT CONNECTOR



LINEAR LIMITED WARRANTY

This Linear product is warranted against defects in material and workmanship for twenty four (24) months. The Warranty Expiration Date is labeled on the product. This warranty extends only to wholesale customers who buy direct from Linear or through Linear's normal distribution channels. Linear does not warrant this product to consumers. Consumers should inquire from their selling dealer as to the nature of the dealer's warranty, if any. **There are no obligations or liabilities on the part of Linear LLC for consequential damages arising out of or in connection with use or performance of this product or other indirect damages with respect to loss of property, revenue, or profit, or cost of removal, installation, or reinstallation.** All implied warranties, including implied warranties for merchantability and implied warranties for fitness, are valid only until Warranty Expiration Date as labeled on the product. **This Linear LLC Warranty is in lieu of all other warranties express or implied.**

All products returned for warranty service require a Return Product Authorization Number (RPA#). Contact Linear Technical Services at 1-800-421-1587 for an RPA# and other important details.